

# MAC Pulse Valve PV07 Series



## PV07 Series

The MAC Pulse Valve series is designed to be a direct drop-in replacement for existing pulse technology. The MAC solution utilizes a long life, bonded-spool design, instead of the traditional diaphragm style. MAC also uses a balanced pilot valve that isolates the solenoid from airline contamination. Available with integral solenoid pilot as well as bleed pilot configurations.

## Direct Drop-in

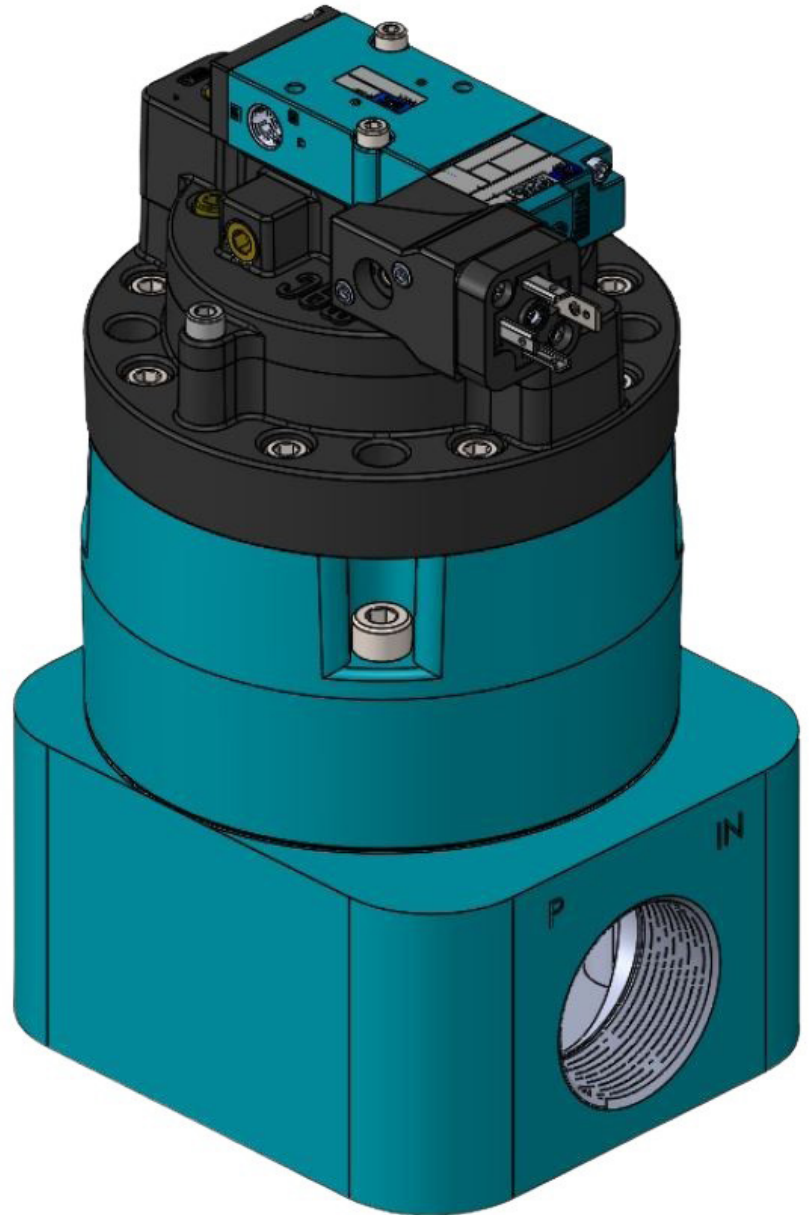
The MAC Pulse Valve is available with various adapter options. These adapter options allow the MAC valve to directly replace the diaphragm technology with our bonded spool technology without disturbing plumbing. The MAC bleed configuration works with existing remotely located solenoids.

## Harsh Environment Compatible

An aluminum die-cast body, Viton® seals and an environmentally protected solenoid are standard features. These materials allow for a wide standard temperature rating and high degree of chemical resistance.

## Maintenance

Lower cost of ownership through reduction in downtime due to high reliability. When necessary, maintenance is simplified with available spool kits.



## Product Characteristics and Performance

Flow	Temp. Range Nitrile	Temp Range Viton	Pressure Range
70 Cv	0°F - 140°F -18°C - 60°C	-20°F - 230°F -29°C - 110°C	40 - 120 PSI 2.75 - 8.27 bar

# MAC Pulse Valve PV07 Series



## Configuration Options

Integral Pilot **PV07A - XXX - 41P - DXXX - XXX = XXXX**

Remote Bleed **PV07A - XXX - 41P - RBXX = XXXX**

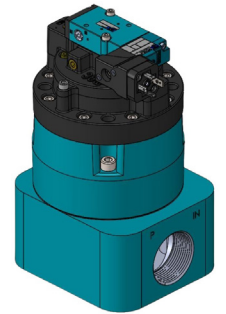
Modifications (see below)

Spool Type	Base Port Size & Thread Type	Int / Ext Pilot	Pilot Type	Remote Bleed
0 Base Only	0 Basic Valve No Base	0 Base Only	Integral	11 NPTF threads
A N.C. Main W/Memory Spring Viton® Seals Thru-out	A 1 1/2" NPTF Straight Base	A Internal Pilot	P Piped Exh.	14 BSPPL threads
	B 1 1/2" NPTF 90° Base	B Ext. Pilot NPTF threads		15 BSPTR threads
	C 1 1/2" BSPPL Straight Base	C Ext. Pilot BSPPL threads		
	D 1 1/2" BSPPL 90° Base	D Ext. Pilot BSPTR threads		
	E 1 1/2" BSPTR Straight Base	E Int. Pilot BSPPL threads		
	F 1 1/2" BSPTR 90° Base	F Int. Pilot BSPTR threads		

## Solenoid Valve Options

- DXXX - XXX

Voltage	Lead Wire Length	Manual Operator	Electrical Connector
JA 120/60, 110/50	A 18"	1 Non Locking	BA Grommet
JB 240/60, 220/50	B 24"		BK Grommet w/Diode
JD 100/60, 100/50, 110/60	C 36"		CM Metal Conduit 1/2"
DA 24VDC (5.4W)	D 48"		CN Metal Conduit w/Ground 1/2"
EW 24VDC (8.0W)	E 72"		EE** Hazardous Location Explosion Proof
DB 12VDC (5.4W)	F 96"		JA Square Plug-in
DC 12VDC (7.5W)	J External Plug-In Lead		JB Rectangular Plug-in
			JC Square Plug-in w/Light
			JD Rectangular Plug-in w/Light
			JJ Square Male Only
			JM Rectangular Male Only
			KA Mini Plug-in
			KB Mini Plug-in w/Diode
			KD Mini Plug-in w/Light
			KE Mini Plug-in w/Light & Diode
			KC Mini Plug-in w/LED & Diode
			KJ Mini Plug-in Male Only
			KK Mini Plug-in Male Only w/Diode



### Pilot Only Options - Bodies and Assemblies

41HA-00A-HX-DXXX-YZZ=XXXX (solenoid operated pilot valve)  
 41HB-00A-HX -DXXX-YZZ=XXXX (solenoid operated pilot valve)  
 41HA-00A-H0-RBXX=XXXX (bleed pilot valve)  
 41HB-00A-H0-RBXX=XXXX (bleed pilot valve)

See options above and modifications below

### Modifications - One Selection Required

PVVT Viton Seals, NPTF threads on pilot  
 EVVT Viton Seals, BSPPL threads on pilot  
 PVTR Viton Seals, BSPTR threads on pilot